

4

3

2

1

D

D

C

C

B

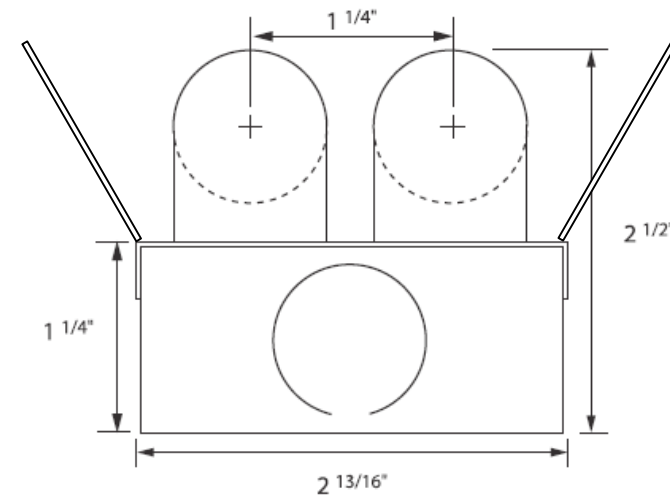
B

A

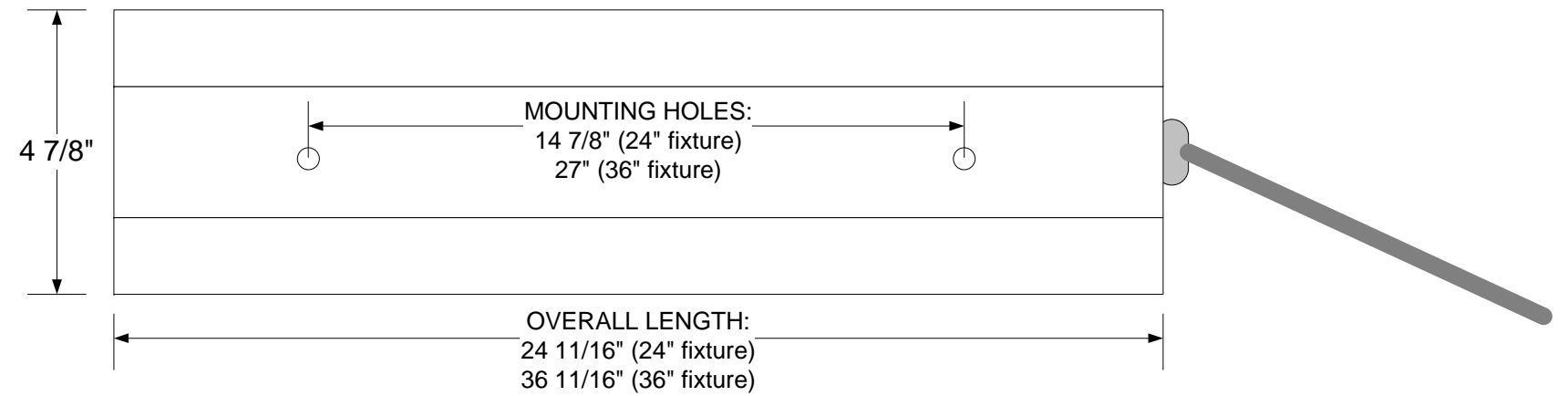
A

Notes

- 1. Bulb Diameter:
Use only T8 (1") diameter bulbs, larger diameter bulbs (i.e. T12 1.5" Diameter) will not fit in this low profile fixture.
- 2. Dimming Compatibility:
EcoZone dimmable fluorescent fixtures require no additional/special wiring, and connect directly to the EcoZone Vivarium controller AC line outputs.
These fixtures can also be dimmed using standard wall-type dimmers, rheostats, etc.



INSIDE VIEW OVERALL DIMENSIONS AND MOUNTING HOLES



EZ-DF-T8-2-24

T8 24" Low Profile Double Lamp Dimmable fluorescent fixture w/ integral ballast, 10' AC power cord, and symmetrical reflector.

Overall Length: 24 11/16"
 Bulb Spec (2 per, not included): 24" T8 Bulb, 17W (F17T8)
 AC Input (for full illumination): 120 VAC 60 Hz
 Dimming Range: 5% - 100%
 Dimming Method: EcoZone Compatible, Powerline Dimmer

EZ-DF-T8-2-36

T8 36" Low Profile Double Lamp 5% Dimmable fluorescent fixture w/ integral ballast, 10' AC power cord, and symmetrical reflector.

Overall Length: 36 11/16"
 Bulb Spec (2 per, not included): 36" T8 Bulb, 25W (F25T8)
 AC Input (for full illumination): 120 VAC 60 Hz
 Dimming Range: 5% - 100%
 Dimming Method: EcoZone Compatible, Powerline Dimmer

EcoZone Technologies				
CUSTOMER SPEC DRAWING DIMMABLE FLUORESCENT FIXTURES w/ INT BALLAST & 10' CORD				
SIZE A	FSCM NO	DWG NO EZ-DF-T8-CUSTOMERSPEC	REV 1.1	
SCALE None		SHEET	1 OF 1	

4

3

2

1